

CALYX



Goodtone



Dietmar Fissl
German Designer
Founder of 2DO DESIGN

Dietmar Fissl built his early career in automotive interior and seating design, developing strong expertise in ergonomics, structure, and product development. He later founded 2DO DESIGN, focusing on furniture, lighting, interiors, and office products.

Known for its systematic design thinking and strong execution, 2DO DESIGN creates integrated solutions across form, product architecture, and material logic, with sustainability embedded in the process. Over the years, the studio has received multiple international design awards and earned a solid reputation in office furniture and product design.



CALYX

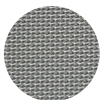
Material Description

- | | |
|--------------------------------|------------------------------|
| 1. Upholstery/ Mesh, Fabric | 5. Mechanism/ Aluminum+PP |
| 2. Armrest/ PA +PU Armrest Pad | 6. Gas-lift/ Steel |
| 3. Backrest/ PA+GF30% | 7. Base/ 340mm Nylon Plastic |
| 4. Seat/ PA+GF30%, Sponge | 8. Caster/ PU |

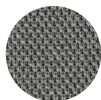
BACK



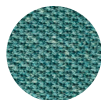
MESH/ BLACK



MESH/ WHITE



FABRIC/ GREY

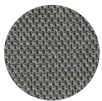


FABRIC/ CYAN

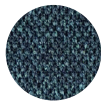
SEAT



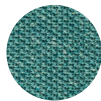
FABRIC/ BLACK



FABRIC/ GREY



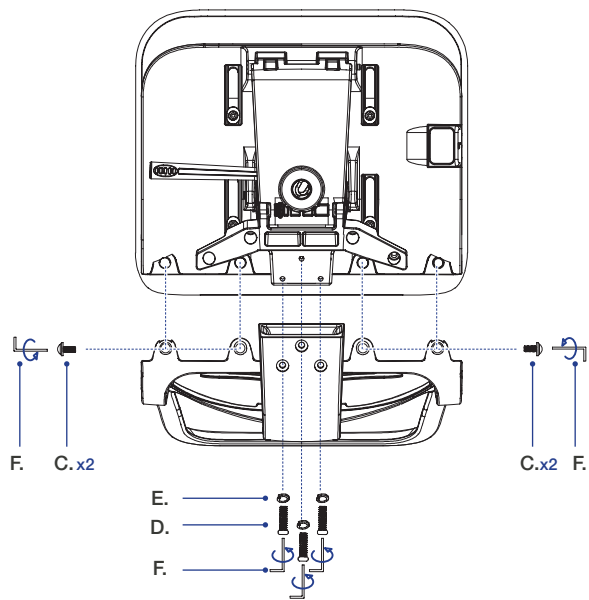
FABRIC/ BLUE



FABRIC/ CYAN

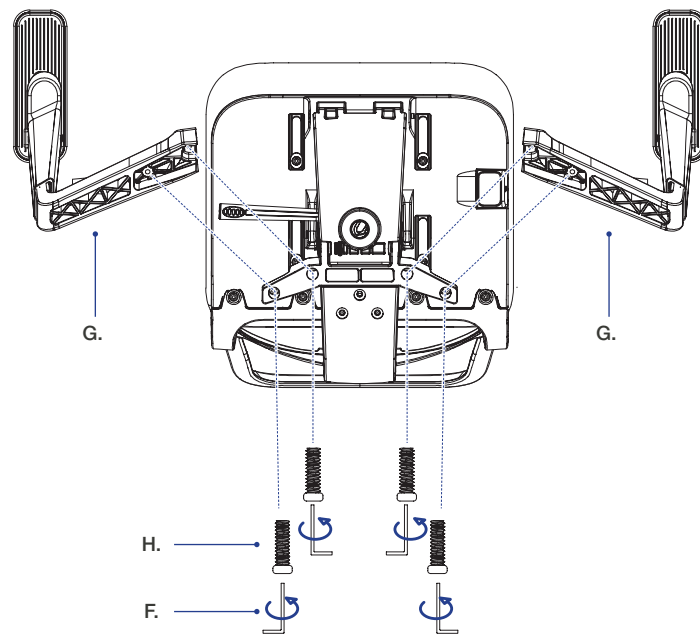


Assembly



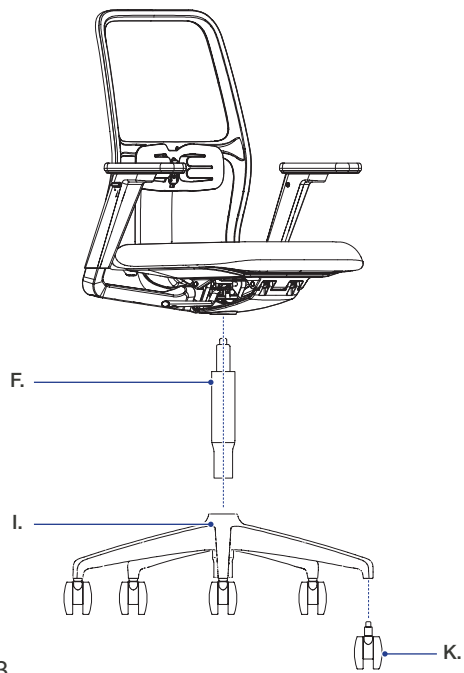
Sept 1

A	x1	B	x1	C	x4	D	x3	E	x3	F	x1
				M6*12		M8*20		φ8*16*2			


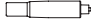



Sept 2

G	x1	H	x4
		M8*16	






Sept 3

I	x1	J	x1	K	x5
					

1 3D Armrest / buttons under arm-pad and armrest




-  press button for height adjustment
-  Push armpad for depth adjustment
-  Rotate armpad for angle adjustment

Armrest can reduce tiredness to arms and shoulders.

2 Height Adjustment / Control rod on the right hand side




-  To lower seat, place your full weight on the chair, and engage the control rod lever. When the desired height is reached, release the control rod

To raise the seat, shift your weight to your feet. Engage the control rod. Chair will rise automatically

3 Sliding Seat / Function handle located on the right hand side underneath the seat





-  pull out the handle for the sliding function, move the seat, then release when desired position is reached

Sliding function to offer effective support and comfort for thighs.

4 In-place pitch and roll locking /Front and rear push handle locking for pitch and roll



-  Push forward to release the tilt-locking mechanism
-  Push backward and lock the tilt angle

Calyx Specification Reference



Calyx

Calyx

Height	970~1070mm	970~1070mm
Seat depth	500~550mm	500~550mm
Seat width	665mm	495mm
Distance from floor to seat	430~530mm	—
Backrest width	445mm	445mm
Distance from seat to the top of backrest	405~445mm	405~445mm
Width between armrest	510mm	—
Distance from floor to armrest	610mm	—
From seat to armrest	180~255mm	—
Tilt angle degree	125°	125°

- Mesh and fabric office chair :** Please use your hand to gently slap off the dust or use a dust collector. For stains, clean the affected area with special detergents and let it air dry naturally.

- Armrests, support and base :** For aluminum alloy materials, please clean them with a dry cloth or nonferrous metal detergents. For plastic materials, use a slightly damp cloth with clean water.

- Castors :** Periodically clean the casters to remove crumbs, fibers, and other debris. Protect the chair wheels with anti-static sprays.

- Gas Lift:** Only trained, specialized staff maybe allowed to replace or carry out work on the gas lift.

Quality assurance and after-sales service

EIGHT-YEAR QUALITY ASSURANCE

If the product is damaged due to quality issues within eight years from the purchase date, the buyer can present proof of purchase, and the company will repair the product for free.



Notice

The quality assurance service does not cover products that have been improperly stored, assembled, or used. It also does not include damage resulting from normal wear and tear, cutting, scraping, striking, or accidents.



After opening the product package, please carefully check for any missing parts or transportation damage. If you find any issues, contact the dealer promptly.



Please place it on a stable indoor floor and protect it from fire, prolonged exposure to direct sunlight, and humid environments.



This product is designed for use by only one person.



Please do not sit on the edge of the chair.



Please do not stand on the chair, or use it to reach objects.



Do not excessively incline the chair backrest.



Please do not lean against the product in anything other than a normal sitting posture to prevent imbalance and potential falls.



Prevent the product from being scratched or struck by sharp or hard tools.



Be mindful of any spontaneous loosening of bolts. If this happens, tighten the screws before continuing to use the office chair.